

UVDI-360 Room Sanitizer

360° Surface Coverage



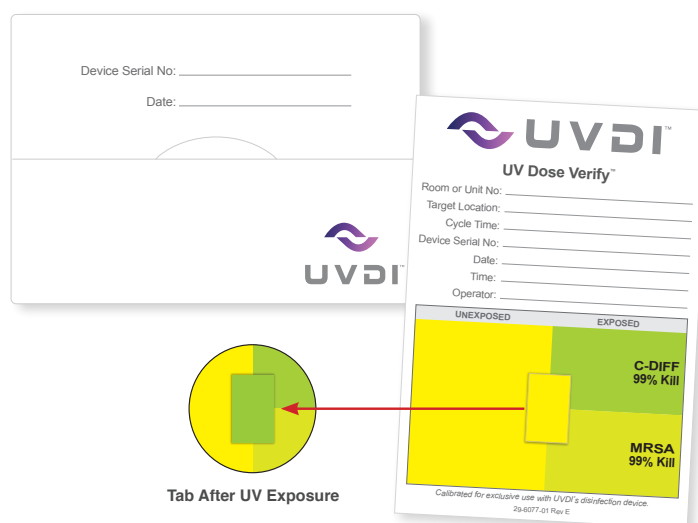
360° Surface Coverage By Design

The UVDI-360 Room Sanitizer deploys a proprietary dose verification system and design-driven features to help ensure whole room coverage.

UV Dose Verify™ Technology

Proprietary UV Dose Verify™ technology confirms the necessary germicidal UV-C dose has reached a target surface, whether indirect or direct line of sight to the device. UV Dose Verify™ is also used to set or adjust cycle protocols for any room type.

- UV-C sensitive label in the center of the cards changes color from yellow to green when exposed to UV-C energy. The color change is calibrated to specific germicidal dose levels — the greater the UV-C dose on a surface, the darker the green color change.
- Independent laboratory testing validated color change associated with 2-log (99%) reduction for MRSA and *C. difficile* spores.



To use UV Dose Verify™, follow these simple steps:

- Remove card from envelope and record all data.
- Ensure center label matches unexposed color.
- Remove adhesive strip from back and stick to test surface ensuring the card is in line of sight to device.
- To verify whole room coverage, place second card diagonally from first card.
- As you first set effective device protocols for new rooms, multiple card placements are recommended.
- After completing UV disinfection cycle, ensure center label on card either matches or is darker than the exposed color (99% Kill).
- As needed, move UVDI-360 Room Sanitizer to second placement and run a second cycle.
- Review all placed cards to ensure sufficient dose has been delivered to all surfaces.
- Store card in envelope and ensure it does not remain exposed to light.

Proven Results | Dose Verification

“Color change from **yellow to dark green** on device dose indicators was used to **verify** that adequate **UV light to kill *C.difficile*** and **methicilin-resistant *Staphylococcus aureus*** was emitted.”

Lisa Maragakis, MD, MPH, Senior Director of Infection Prevention and Associate Professor of Medicine, et. al. The Johns Hopkins Health System.
Infection Control and Hospital Epidemiology 2016

360° Surface Coverage

360° Surface Coverage By Design

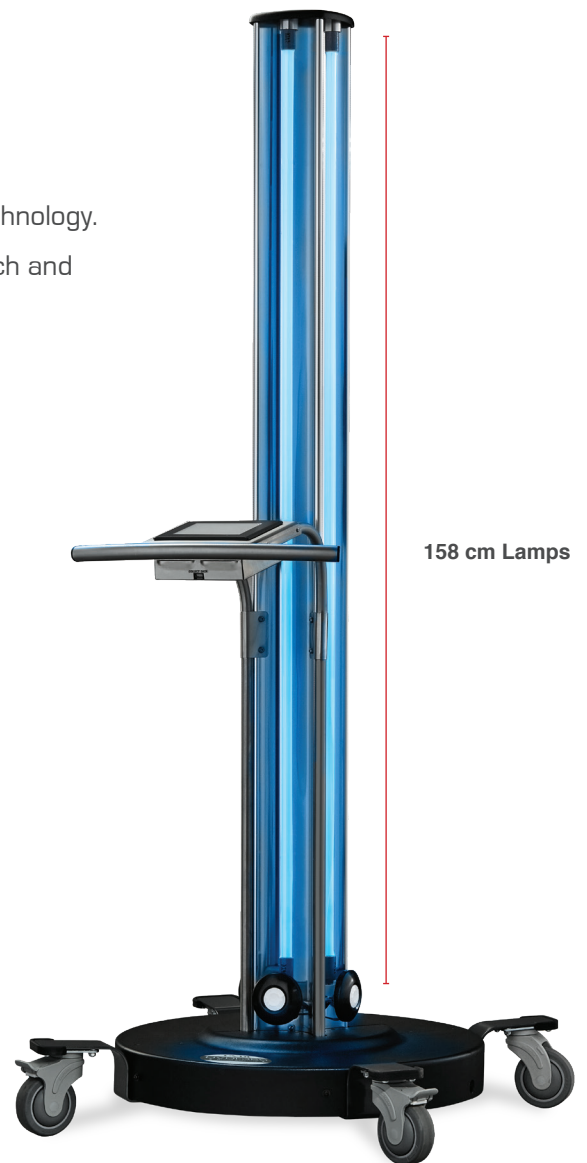
Patented Powerful UV Technology

- Generates maximum output UV-C light from 158 cm long lamp technology.
- Aluminum reflector mast is designed to amplify lamp intensity, reach and room coverage.

Proven Results | 360° Surface Coverage

“The **UVDI-360 Room Sanitizer** achieved a **>5 log reduction for directly exposed sites** and a **>4 log reduction for indirectly exposed sites** against MRSA and Carbapenem-resistant Enterobacteriaceae in **5-10 minutes.**”

- William Rutala, MS, MPH, PhD, Director of Hospital Epidemiology, et. al., UNC School of Medicine
Infection Control and Hospital Epidemiology 2016



Microorganism	MRSA		CRKP	
	Setup A (one cycle)	Setup B (two cycles)	Setup A (one cycle)	Setup B (two cycles)
Surface Type	(Log ₁₀ Reduction)		(Log ₁₀ Reduction)	
Direct Surfaces	5.27	5.82	5.74	6.61
Indirect Surfaces	4.17	4.55	4.53	5.39
Overall	4.61	5.06	5.01	5.87

Kanamori, H.; Rutala, W.A.; Gergen, M.F.; Weber, D.J. Patient Room Decontamination against Carbapenem-Resistant Enterobacteriaceae and Methicillin-Resistant Staphylococcus aureus Using at-C Device and Two Different Radiation Designs. *Infect. Control Hosp. Epidemiol.* 2016, 1- 3.



www.uvdi.com • uv@uvdi.com • +1.844.777.UVDI