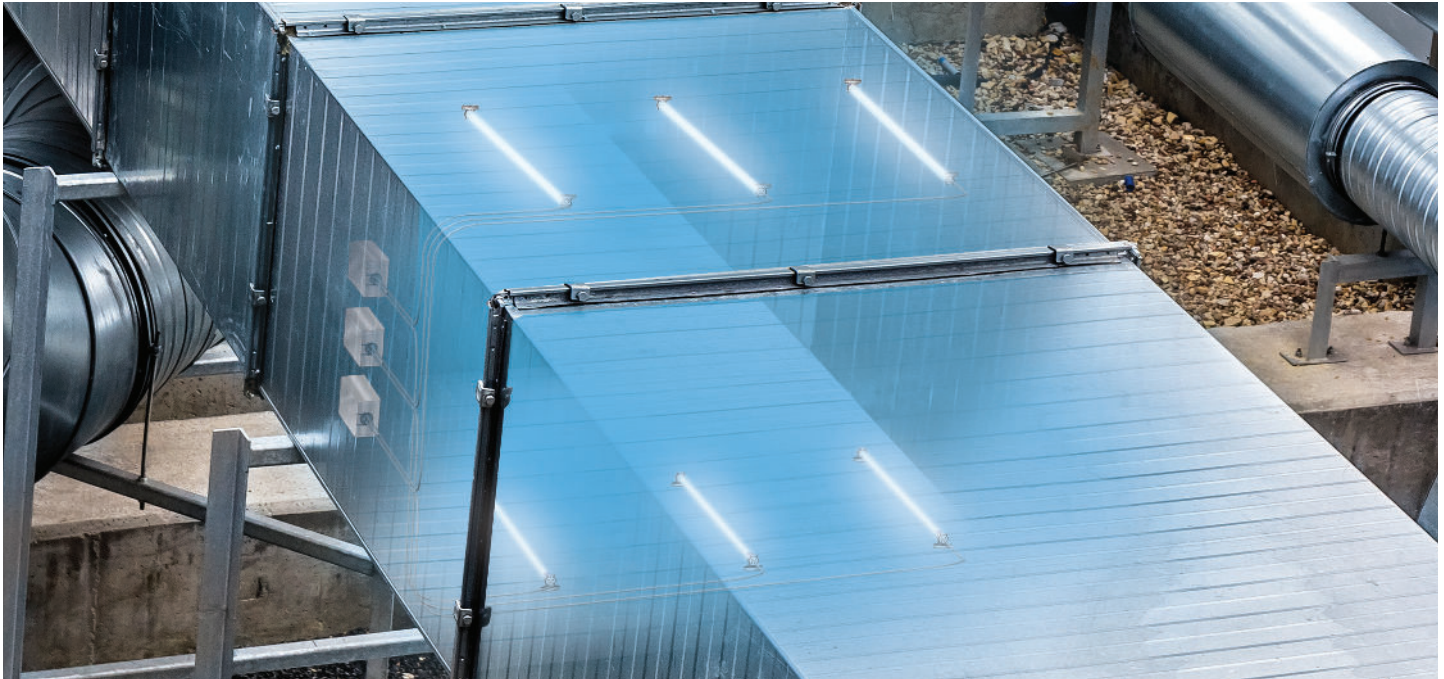


V-MAX™ Air Disinfection

Product Overview



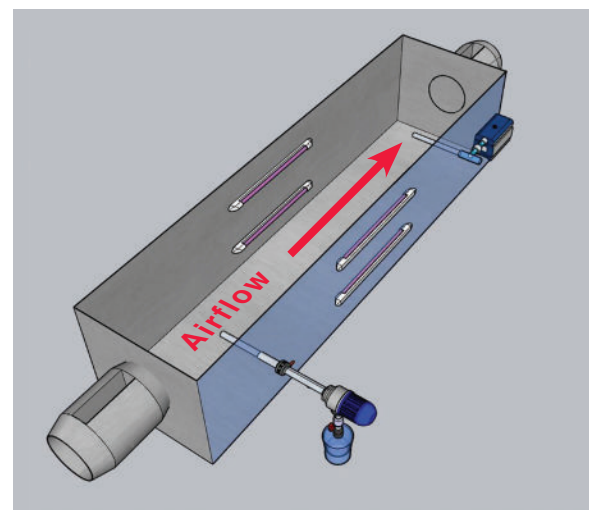
Proven Elimination of Airborne Viruses, Bacteria and Mold

Independently proven effectiveness against high-risk microorganisms, such as SARS-CoV-2 and Influenza A, provides enhanced Indoor Air Quality, protection and peace of mind for building occupants and guests.

- Proven 99.99% inactivation of SARS-CoV-2 in a moving airstream HVAC duct in independent lab testing
- Custom configuration via proprietary software modeling to meet airstream kill rates up to and above 99%
- Designed for in-duct use

99.99% Inactivation of SARS-CoV-2 in Moving Airstream HVAC Testing

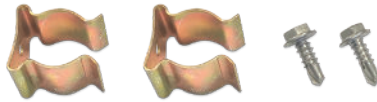
- 99.99% inactivation of airborne SARS-CoV-2 in a single pass at an airflow rate of 500 feet per minute.
- To replicate conditions in a typical HVAC duct, UVDI V-MAX™ 254 nm UV-C lamps were arranged in a parallel configuration.
- Testing conducted in a modified HVAC test duct at a certified BEI-recognized BSL-3 laboratory.
- Given emerging coronavirus variants share the same RNA structure as SARS-CoV-2, these independently proven laboratory results provide scientific confirmation of UVDI V-MAX™ effectiveness against newer strains.



V-MAX™ Air Disinfection

Designed for In-Duct Use

- Designed for flexible fixture mounting internally or externally on the duct
- Designed for duct-mounting parallel to the airstream providing optimum UV exposure
- Prewired lamp connection reduced installation time
- Low power consumption with universal voltage
- Available in 21" (53.34 cm), 33" (83.82 cm), 48" (121.92 cm) and 61" (154.94 cm) lamps



Mounting Clips

Easily attach onto lamp ends

Tech Specs

Input Voltage	Lamp Configuration					
	21" (53.34 cm)	Dual 21" (Dual 53.34 cm)	33" (83.82 cm)	Dual 33" (Dual 83.82 cm)	48" (121.92 cm)	61" (154.94 cm)
120	0.45	0.90	0.75	1.45	1.24	1.3
208	0.30	0.60	0.45	0.90	0.75	0.80
240	0.25	0.50	0.40	0.80	0.65	0.70

Designed for use with 120, 208, and 240 VAC input. Approximate current draw (in Amps).

- Rated for temperature 30°F - 135°F (-1°C - 57°C)
- RH: up to 95% non condensing

Regulatory Approvals

ETL listed to UL/Canadian standards:

- UL 1598/CSA 22.2 250
- UL 1995/CSA 22.2 236
- UL 153/CSA 22.2 12



www.uvdi.com • info@uvdi.com • 661.295.8140